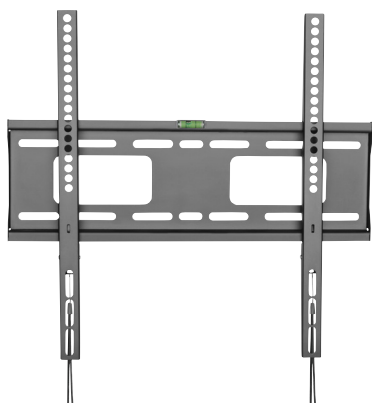


Fixed Mount

For 24"-43" TVs

Features & Benefits

- Supports 32" to 70" LED, LCD Flat Panel TVs with VESA 400 x 400.
- Open architecture provides superior ventilation and easy access for wiring.
- Lateral shift allows TV to slide left and right for perfect placement.
- Simple construction ensures quick and easy installation.
- Security screws hold the TV securely in the wall plate.
- Automatically click-in spring lock with easily-release tab securely attaches your flat panels to the wall.



Product Specifications

| | |
|-----------------------|---|
| Function | Fixed |
| Screen Size | 32"-70" |
| Max. VESA | 400 x 400 |
| VESA Compatible | 200 x 200, 400 x 200, 200 x 300, 200 x 200, 300 x 300, 400 x 300, 400 x 400 |
| Mounting Hole Pattern | VESA and universal |
| Tilt Range | - |
| Swivel Range | - |
| Screen Level | - |
| Profile | 25mm |
| Weight Capacity | 50kg |
| Fit Curved TV | Yes |
| Cable Management | No |
| Dimensions | 448 x 425 x 25mm |
| Material | Steel and plastic |
| Colour | Matte black |

Product Information

| | |
|--------------------|-----------------------|
| EAN | 5050171076019 |
| Unit Quantity | 1 |
| Unit Dimensions | 46.5cm x 15.5cm x 3cm |
| Unit Weight | 1550g |
| Outer Weight | 12 |
| Outer Dimensions | 48cm x 33cm x 20.5cm |
| Outer Gross Weight | 19.16kg |
| Outer Net Weight | 18.6kg |