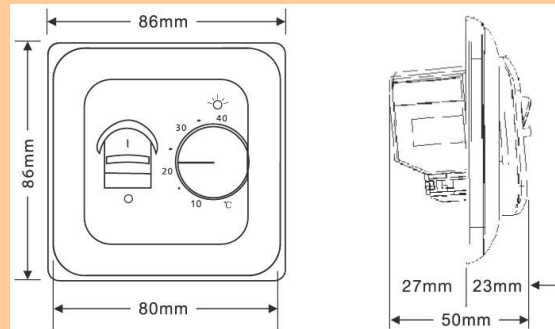




## Installing the Thermostat

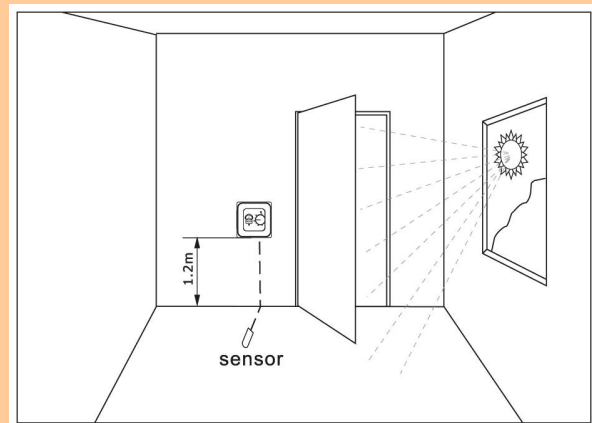
### 1 Electronic Heating Thermostat - General

The electronic thermostat is for mounting in a standard wall box, and is adjustable to the required temperature from +5°C to +40°C. The built-in red LED shows that the heat is On.



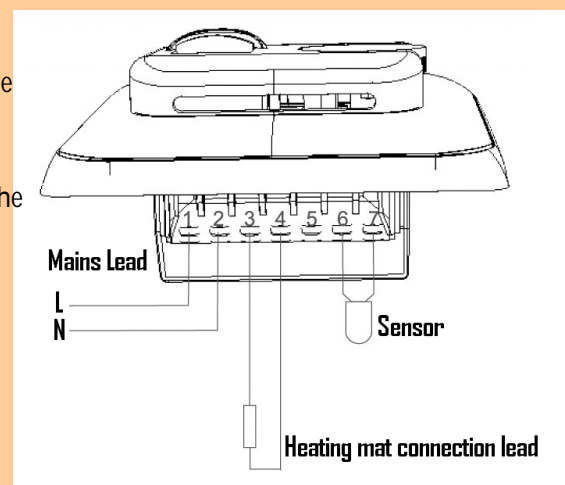
### 2 Placement of the Thermostat

The thermostat must be mounted on the wall with free air circulation around it. It must be located where it is not influenced by any other heating sources (e.g. the sun shining through a window), draughts from doors or windows, or by the temperature of an exterior wall. Bathroom & En-suite stats should be situated outside on an adjacent wall.



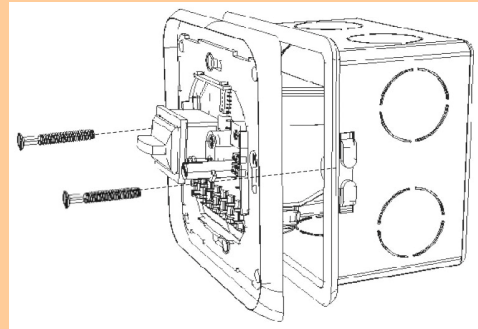
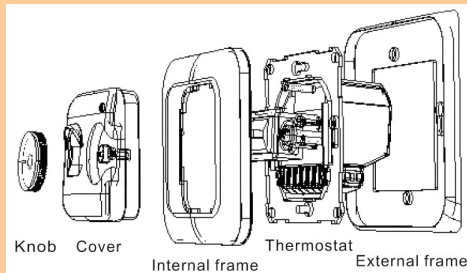
### 3 Wiring the Thermostat

The thermostat and mat require a 13 Amp dedicated power supply from the consumer unit to power them and should be wired as shown opposite. Connections should be made by a qualified electrician only. The Earth wires from the cold tail should be connected to the mains Earth using the Earth terminal in the mounting box or with a connector.



#### 4 Mounting the Thermostat

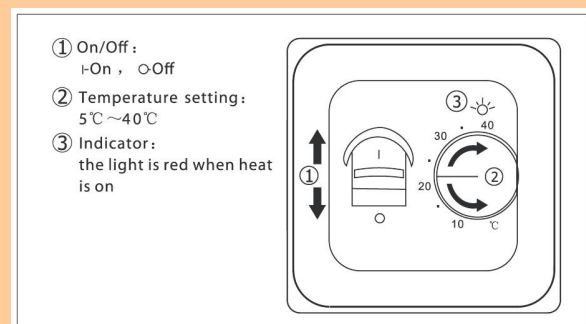
Disassemble the thermostat as shown below. A 35mm deep or deeper wall mounting box should be used and the thermostat fitted using the two screws provided.



#### 5 Temperature Setting

The thermostat has a scale range of +5°C to +40°C. To assist the adjustment, the thermostat has a LED which will glow RED when the heating is ON.

The thermostat should be set to the maximum temperature setting until the desired temperature of the room or floor is achieved. The control knob should then be turned back until the LED goes out. Fine adjustments can be made over the next 1 to 2 days to suit individual requirements.

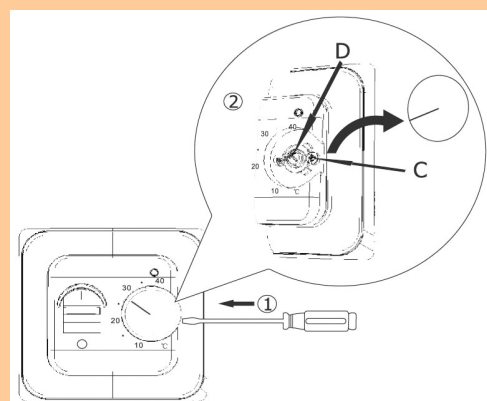


#### 6 Thermostat Calibration

When the room temperature has been stabilized, the thermostat set position may be adjusted to match actual room temperature.

Measure the temperature of the room with an accurate thermometer. Carefully remove the control knob (1), without changing the setting, align the knob to match the temperature measured and push back onto the spindle (D).

NOTE: The temperature control is calibrated at the factory, please do not move the control knob when carrying out the installation.



### 7 Max./Min. Temperature Setting

A locking mechanism is positioned behind the control knob to limit the amount of adjustment possible. By loosening the small screw C the scale range can be locked, e.g. between 20°C and 25°C. The red ring limits the maximum temperature and the green ring limits the minimum temperature.

